

Connector Location A

Connector Location B

Protection cap

Metal

X

Mating face acc. to IEC 61754-20

HARTING PushPull LC Duplex, overmolded (IP65/67)

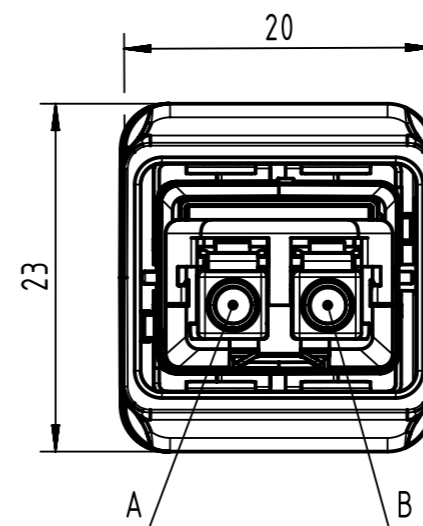
Ø6,5

approx. 94

Y

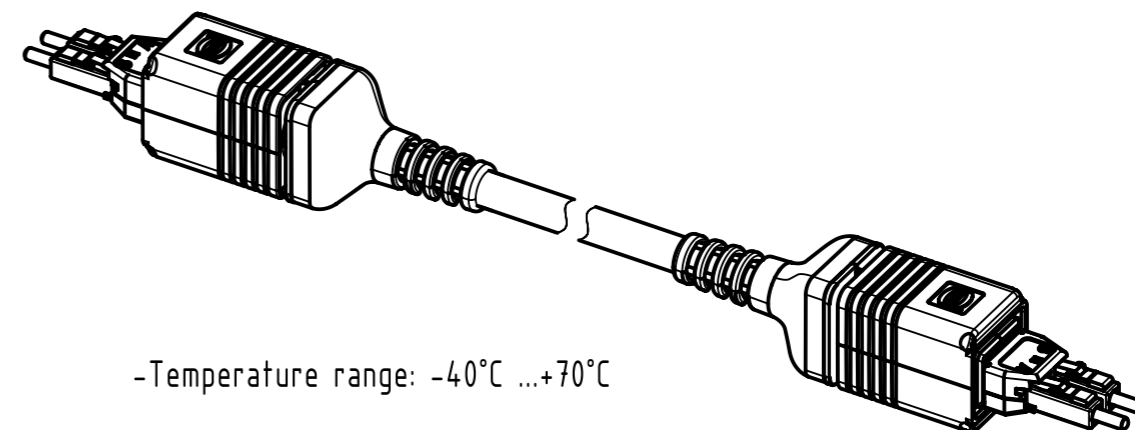
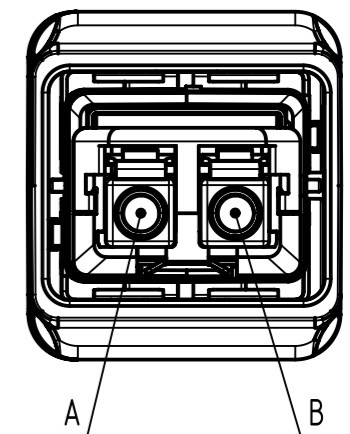
X male (without protection cap)

Y male (without protection cap)



Loading-Plan

A — blue — B  
B — orange — A



-Temperature range: -40°C ...+70°C

Cont. no.	Part no.	Type of cable	Dim. a[m]
21	33582311000027		100
20	33582310900027		90
19	33582310800027		80
18	33582310700027		70
17	33582310600027		60
16	33582310500027		50
15	33582310400027		40
14	33582310300027		30
13	33582310250027		25
12	33582310200027		20
11	33582310150027		15
10	33582310100027		10
9	33582310090027		9
8	33582310080027		8
7	33582310070027		7
6	33582310060027		6
5	33582310050027		5
4	33582310040027		4
3	33582310030027		3
2	33582310020027		2
1	33582310010027		1

Fiber Optic Breakout Cable,  
MM 50/125µm, PUR

	All rights reserved		Created by STOCHECIC		Inspected by COSTEA		Standardisation MUNTEANV		Date 2018-07-16		State Final Release	
	Department HCS - RO		Title PP FO CABL-2xPP Metal LCD OV MM50		Doc-Key / ECM-Nr. 100567929/UGD/015/B 50000137710		Rev. B		Page 1/1			
HARTING Customised Solutions D-32339 Espelkamp		Type TB		Number 3358231XXX0027								